

The Minifor® with synthetic rope TR125 SY has been specially developed for lifting loads during service operations. This product allows to lift loads at high speeds (refer to table for more details) using a synthetic rope, being light weight and flexible, allows to be used for high lifts.

**Description and function**

The Minifor® TR125 SY is composed of:

- Hoist with rope traction system
- 10-ft Pendant control to lift, lower and emergency stop used to lift, to lower and an emergency stop button
- One power electrical cable
- One synthetic rope composed of:
  - On load side:
    - Steel zinc coated hook with latch (item B, page 2)
    - Adjustable end limit stop (item C, page 2)
    - One housing for hook protection (item F, page 2)
  - On free-end rope side:
    - Adjustable end limit stop (item D, page 2)

The Minifor® must be suspended on a structure with sufficient resistance to the applied force with the swivel hook delivered with the product (item E, page 2).

The load must be attached to the hook located at the rope extremity (item B, page 2). Nothing must be attached on the free-end of the rope while lifting.

The pendant control box is used to lift up or go down the load. If necessary, the pendant control box is equipped with an emergency button to stop immediately the load.

The Minifor® can work in temperature ranges from 15 to 120°F (-9 to 50°C).

**Features**

- High speed to lift or lower load
- Lightweight for its lifting capacity
- Rope is flexible and synthetic fiber therefore it is not aggressive with environment and does not oxydate
- Synthetic rope is lightweight making transportation easier

**⚠ WARNING**

Equipment is always shipped with a copy of its manufacturer's instructions. The user must read, understand and follow the manufacturer's instructions before use. If it's missing, extra copies are available from Tractel®.

**⚠ WARNING**

Tractel®'s Minifor® TR125 SY works exclusively with synthetic rope specified by Tractel® (lifetime 400 cycles, under normal conditions of use).

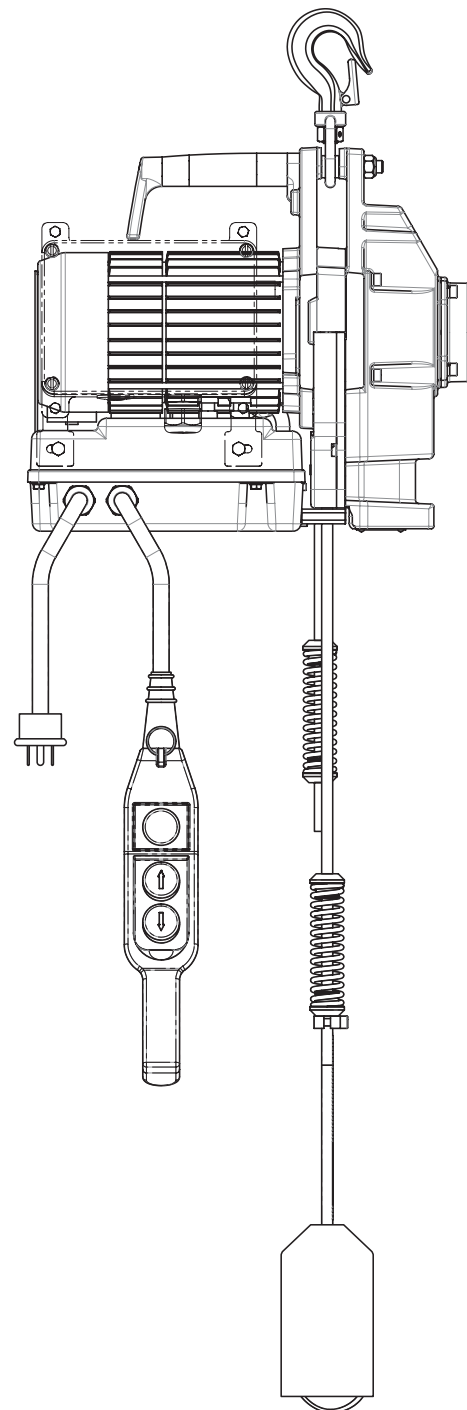
**⚠ WARNING**

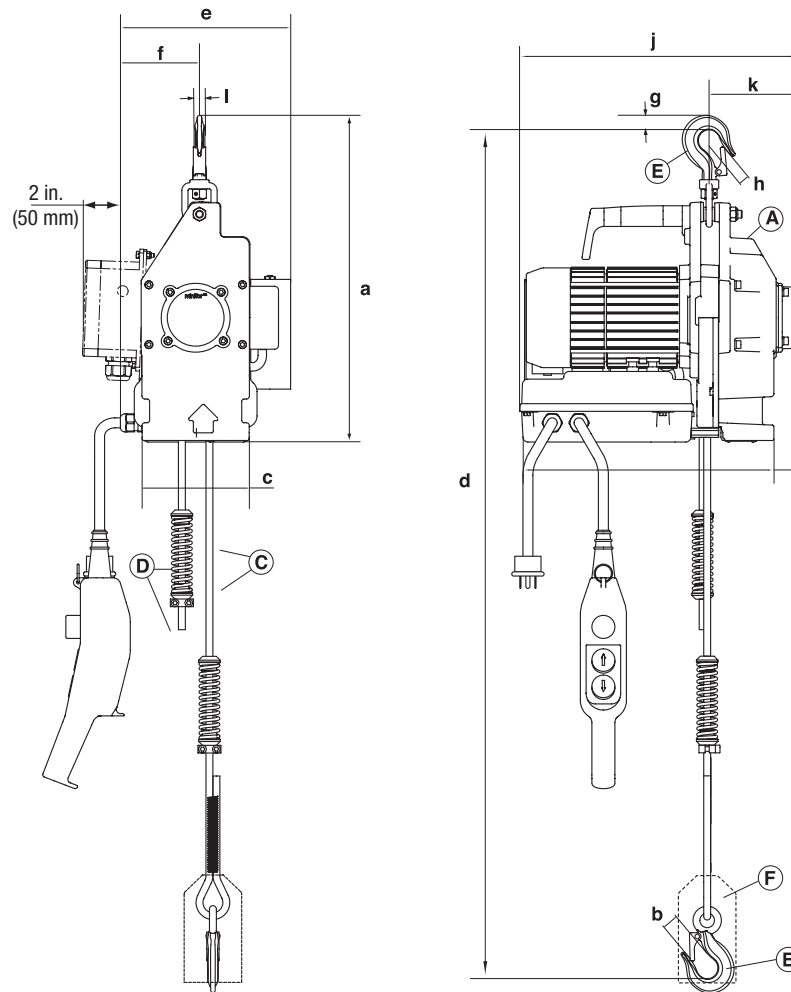
It is forbidden to use this product:

- To lift personnel
- During high winds
- Using another rope than specified by Tractel®

**Available models**

- |              |   |
|--------------|---|
| 243999       | Minifor® TR125 SY, 115 V, 60 Hz, without rope, with pendant control |
| 245209       | Minifor® TR125 SY unit, 115 V, 60 Hz, without pendant control       |
| Upon request | Minifor® TR125 SY unit, 220 V, 60 Hz, without pendant control       |





Voltage (model)	WLL	Speed	Frequency	Nominal current	Duty ratio	Length	Motor	Rope weight	Breaking rope strength	Protection	Control voltage	Weight without rope
115 V	275 lbs. (125 kg)	49 f/min (15 m/min)	60 Hz	9 A	20%	Up to 655 ft. (200 m)	1 phase, 60 Hz	63 g/m (2 oz/ft.)	1,350 lbf (6 kN)	IP 55	1 phase	44 lbs. (20 kg)
220 V				3.9 A								41.9 lbs. (19 kg)

Voltage (model)	Dimensions											
	a	b	c	d min.	e	f	g	h	i	j	k	l
115 V	16 <sup>13</sup> / <sub>16</sub> in. (427 mm)	1 <sup>9</sup> / <sub>32</sub> in. (15 mm)	5 <sup>1</sup> / <sub>2</sub> in. (140 mm)	28 <sup>21</sup> / <sub>32</sub> in. (728 mm)	8 <sup>21</sup> / <sub>32</sub> in. (220 mm)	3 <sup>15</sup> / <sub>16</sub> in. (100 mm)	2 <sup>5</sup> / <sub>32</sub> in. (20 mm)	2 <sup>5</sup> / <sub>32</sub> in. (20 mm)	12 <sup>3</sup> / <sub>4</sub> in. (324 mm)	14 in. (356 mm)	4 <sup>13</sup> / <sub>32</sub> in. (112 mm)	1 <sup>9</sup> / <sub>32</sub> in. (15 mm)
220 V					8 <sup>7</sup> / <sub>32</sub> (209 mm)							

